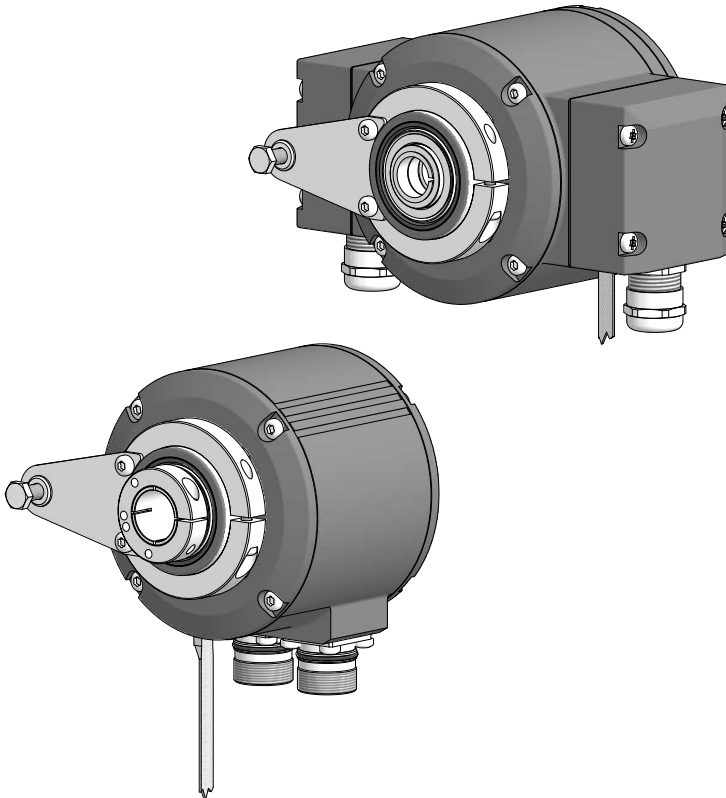




## Installation and operating instructions



### **HMG 10 - SSI** **Absolute Encoder** **with magnetic sensing**

**TABLE OF CONTENTS**

<b>1. IMPORTANT NOTES</b>	<b>1</b>
1.1 Symbol guide	1
1.2 Intended use	1
1.3 Exclusion from liability	1
1.4 Maintenance and lifetime	2
1.5 Approvals and warranty	2
1.6 Storage temperature and disposal	2
<b>2. SAFETY AND ATTENTION INSTRUCTIONS</b>	<b>3</b>
2.1 Safety instructions	3
2.2 Attention instructions for mounting and operation	4
<b>3. PREPARATION</b>	<b>5</b>
3.1 Scope of delivery	5
3.2 Required accessory for mounting/dismounting (not included in scope of delivery)	6
3.3 Required tools (not included in scope of delivery)	6
<b>4. MOUNTING</b>	<b>7</b>
4.1 Positioning the torque plate	7
4.2 Mounting the torque arm at the encoder	7
4.3 Mounting to drive shaft	8
4.3.1 Version with blind hollow shaft	8
4.3.2 Version with cone shaft	9
4.3.3 Version with through hollow shaft	10
4.4 Drive side mounting of the torque arm	11
4.5 How to prevent measurement errors	12
<b>5. ELECTRICAL CONNECTION</b>	<b>13</b>
5.1 Terminal significance	13
5.2 Data transfer SSI	14
5.3 Output signals incremental (additional outputs)	14
5.4 LED function displays	15
5.5 Speed switch - Switching characteristics	15

5.6	Version radial terminal boxes .....	16
5.6.1	Cable connection.....	16
5.6.2	Assignment connecting terminal .....	17
5.6.2.1	Connecting terminal first terminal box [A] SSI without additional output 1 .....	17
5.6.2.2	Connecting terminal first terminal box [A] SSI with additional output 1 .....	17
5.6.2.3	Connecting terminal second terminal box [B] Speed switch without additional output 2 .....	18
5.6.2.4	Connecting terminal second terminal box [B] Speed switch with additional output 2 .....	18
5.7	Version with radial flange connectors .....	19
5.7.1	Cable connection mating connector M23 (accessory) .....	19
5.7.2	Assignment flange connectors .....	20
5.7.2.1	First flange connector [C] SSI without additional output 1 .....	20
5.7.2.2	First flange connector [C] SSI with additional output 1 .....	20
5.7.2.3	Second flange connector [D] Speed switch without additional output 2.....	21
5.7.2.4	Second flange connector [D] Speed switch with additional output 2.....	21
<b>6.</b>	<b>DIMENSIONS .....</b>	<b>22</b>
6.1	Blind hollow shaft.....	22
6.1.1	With radial terminal boxes .....	22
6.1.2	With radial flange connectors .....	22
6.2	Through hollow shaft .....	23
6.2.1	With radial terminal boxes .....	23
6.2.2	With radial flange connectors .....	23
6.3	Cone shaft .....	24
6.3.1	With radial terminal boxes .....	24
6.3.2	With radial flange connectors .....	24

<b>7. DISMOUNTING</b> .....	<b>25</b>
7.1 Version with blind hollow shaft .....	25
7.1.1 Step 1 .....	25
7.1.2 Step 2 .....	25
7.1.3 Step 3 .....	26
7.1.4 Step 4 .....	26
7.2 Version with through hollow shaft .....	27
<b>8. TECHNICAL DATA</b> .....	<b>28</b>
8.1 Technical data - electrical ratings .....	28
8.2 Technical data - electrical ratings (speed switch) .....	28
8.3 Technical data - mechanical design .....	29

# 1. IMPORTANT NOTES

## 1.1 Symbol guide



### **Warning**

Disregarding could result in serious injury, death or damage to property



### **Attention**

Disregarding could result in damage to property or damage/malfunction of the encoder



### **Information**

Additional information and recommendations

## 1.2 Intended use

The encoder is a precision measurement device for the acquisition of speed/position information for the control of drive units and the provision of electronic output signals for downstream devices.

The encoder must not be used for any other purpose. The function of the encoder is described in this mounting instruction. The customer must check the suitability for the purpose intended.

Mounting and selection must be executed by authorized and qualified personnel. Mounting, electrical commissioning or any other work with the encoder or system is to be performed by appropriately qualified staff only.

Do not put encoder into service if there is any visible evidence of damage.

Do not operate encoder beyond the limit values stated in this mounting instruction.

Any risk of personal injury, damage of the system or company equipment due to failure or malfunction of the encoder must be eliminated by corresponding safety measures.



### **Warning**

Disregarding intended use could result in serious injury or damage to property.

## 1.3 Exclusion from liability

The manufacturer is not liable for any damage to persons or property resulting from unintended use of the encoder.

#### 1.4 Maintenance and lifetime

The encoder may be only opened as described in this instruction. Repair or maintenance work that requires opening the encoder completely must be carried out by the manufacturer.

Alterations of the device are not permitted.

The expected operating life of the device depends on the ball bearings, which are equipped with a permanent lubrication.

In the event of queries or subsequent deliveries, the data on the device type label must be quoted, especially the type designation and the serial number.

#### 1.5 Approvals and warranty

EU Declaration of Conformity meeting to the European Directives.

UL approval / E256710.

We grant a 2-year warranty in accordance with the regulations of the Central Association of the German Electrical Industry (ZVEI).

*i* warranty seal  
Damaging the warranty seal on the encoder invalidates warranty.

#### 1.6 Storage temperature and disposal

The storage temperature range of the encoder is between -15...+70 °C (caused by packing).

Encoder components are to be disposed of according to the regulations prevailing in the respective country.

## 2. SAFETY AND ATTENTION INSTRUCTIONS

### 2.1 Safety instructions



#### **Explosion risk**

Spark formation can cause a fire or an explosion.

- » Do not use the encoder in areas with explosive and/or highly inflammable materials. They may explode and/or catch fire by possible spark formation.



#### **Risk of serious injuries due to rotating shafts**

Hair and clothes may become tangled in rotating shafts. Touching the rotating parts can cause extremely serious injuries.

- » Before all work switch off all operating voltages and ensure machinery is stationary.
- » Prevent reconnection operating voltages by third parties.



#### **Risk of serious injuries due to consequential damages**

Plants can be deregulated due to malfunction or faulty signals of the encoder.

- » Damage caused by faulty operation or by a malfunction of the encoder must be eliminated by corresponding safety measures.



#### **Risk of burns due to formation of heat**

The encoder heats up at higher speed so there is a serious risk of burning shortly after the machine has been turned off.

- » Examine carefully whether the encoder overheats. Wear suitable gloves if necessary.

## 2.2 Attention instructions for mounting and operation



### Risk of destruction due to electrostatic charge

Electronic parts contained in the encoder are sensitive to high voltages.

- » Do not touch plug contacts or electronic components.
- » Protect output terminals against external voltages.
- » Do not exceed max. operating voltage.



### Risk of destruction due to mechanical overload

Rigid mounting may give rise to constraining forces.

- » Never restrict the freedom of movement of the encoder. The installation instructions must be followed.
- » It is essential that the specified clearances and/or angles are observed.



### Risk of destruction due to mechanical shock

Violent shocks, e. g. due to hammer impacts, can lead to the destruction of the sensing system.

- » Never use force. Assembly is simple when correct procedure is followed.
- » Use suitable puller for disassembly.



### Risk of destruction due to contamination

Dirt penetrating inside the encoder can cause short circuits and damage the optical sensing system.

- » Absolute cleanliness must be maintained when carrying out any work on the open terminal box.
- » When dismantling, never allow lubricants to penetrate the encoder.



### Risk of destruction due to adhesive fluids

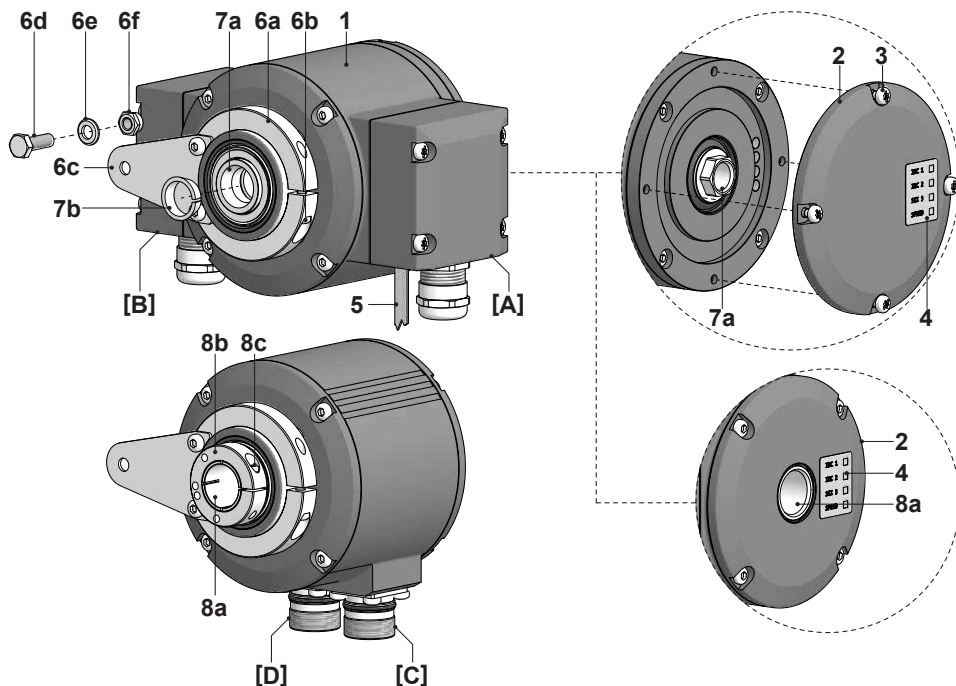
Adhesive fluids can damage the optical sensing system and the bearings. Dismounting an encoder, secured to a shaft by adhesive may lead to the destruction of the unit.

- » Do not use adhesive fluids for fixing.



### 3. PREPARATION

#### 3.1 Scope of delivery



- 1 Housing
  - 2 Cover
  - 3 Torx and slotted screw - DIN 7964, M4x10 mm
  - 4 LED function indicators
  - 5 Earthing strap, length ~230 mm
- Equipment for mounting a torque arm:
- 6a Clamping ring adjustable through 360°
  - 6b Torx and slotted screw - ISO 7045, M4x20 mm
  - 6c Torque plate
  - 6d Hexagon screw - ISO 4017, M6x18 mm
  - 6e Washer - ISO 7090, B6.4
  - 6f Self-locking nut - ISO 10511, M6

Blind hollow shaft\* or cone shaft\*:

- 7a Blind hollow shaft or cone shaft with spanner flat 17 a/f
- 7b Clamping element, not for cone shaft

Through hollow shaft\*:

- 8a Through hollow shaft
- 8b Clamping ring
- 8c Torx screw - ISO 7045, M3x12 mm

Radial terminal boxes\* (see section 5):

- [A] SSI + additional output 1
- [B] Speed switch + additional output 2

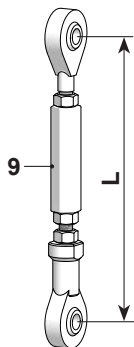
Radial flange connectors\* (see section 5):

- [C] SSI + additional output 1
- [D] Speed switch + additional output 2

\* Depending on version

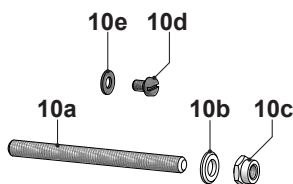
### 3.2 Required accessory for mounting/dismounting (not included in scope of delivery)

**i** Connecting cables and respective mating connectors are required for the electrical connection. Details see *section 5, page 13*.



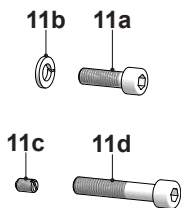
Torque arm, length L / order number

- 9** Standard version:  
67-70 mm / 11043628  
125 (±5) mm, can be shortened to ≥71 mm / 11004078  
440 (+20/-15) mm, can be shortened to ≥131 mm / 11002915
- 9** Insulated version:  
67-70 mm / 11054917  
125 (±5) mm, can be shortened to ≥71 mm / 11072795  
440 (+20/-15) mm, can be shortened to ≥131 mm / 11082677



Mounting kit, order number 11077197:

- 10a** Thread rod - M6, length variable ≤210 mm
- 10b** Washer - ISO 7090, B6.4
- 10c** Self-locking nut - ISO 10511, M6
- 10d** Cylinder screw for earthing strap - ISO 1207, M6x8
- 10e** Washer for earthing strap - ISO 7090, B6.4



Mounting/dismounting kit, order number 11077087:

(Not required for version with through hollow shaft)

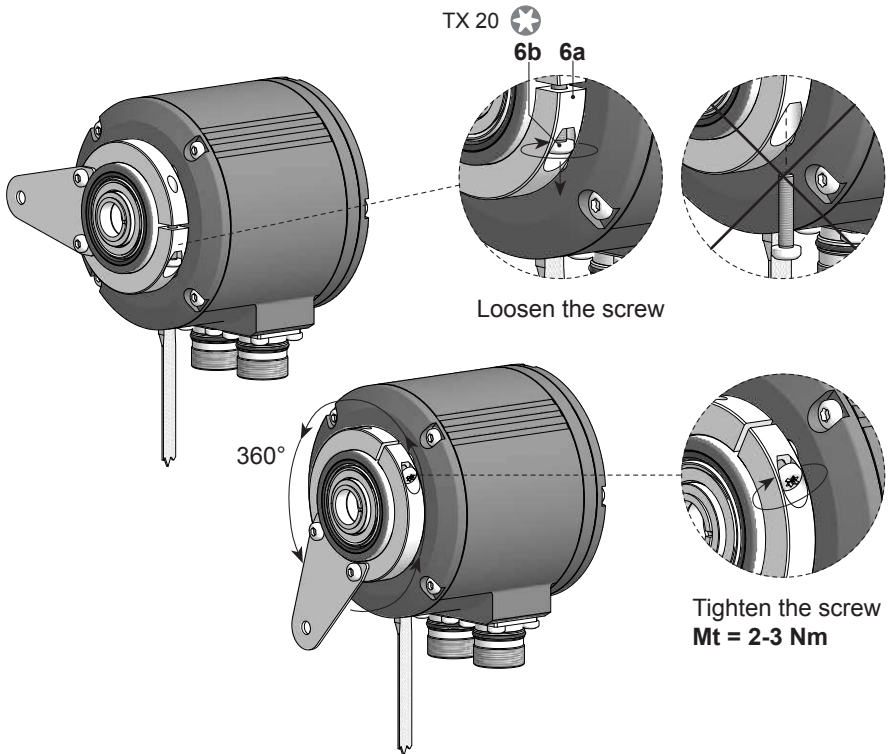
- 11a** Cylinder screw - ISO 4762, M6x30
- 11b** Spring washer - DIN 7980, 6
- 11c** Setscrew - ISO 7436, M6x10
- 11d** Cylinder screw - ISO 4762, M8x45

### 3.3 Required tools (not included in scope of delivery)

- 3, 5 and 6 mm
- 1.6x8.0 mm and 0.8x4 mm
- 10 (2x), 17 and 22 mm
- TX 10, TX 20

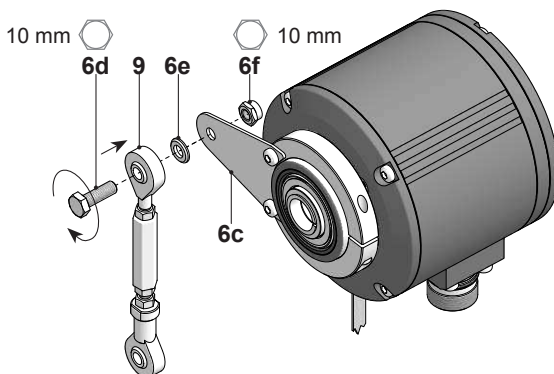
## 4. MOUNTING

### 4.1 Positioning the torque plate




### 4.2 Mounting the torque arm at the encoder

» Note the mounting instructions for the torque arm in *section 4.4, page 11.*



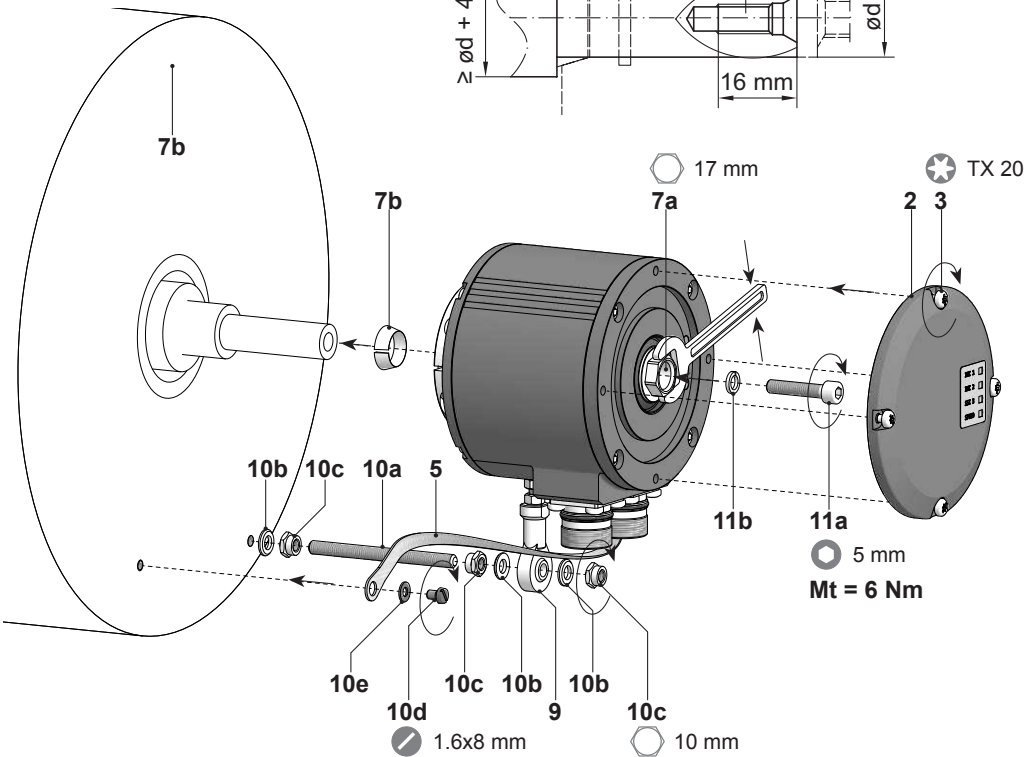
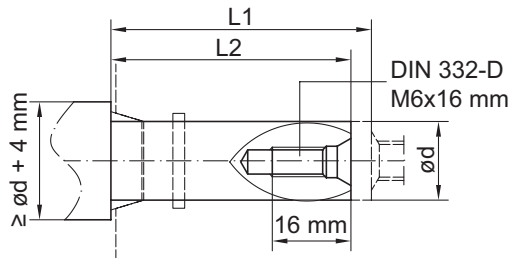
### 4.3 Mounting to drive shaft


#### 4.3.1 Version with blind hollow shaft

 Lifetime restrictions and angle error by radial deviations  
 High runout of the drive shaft can cause encoder angle error, see *section 4.5, page 12*.  
 High runout of the drive shaft can cause vibrations, which can shorten the lifetime of the encoder.


- » Lubricate drive shaft!
- » Minimize drive shaft runout ( $\leq 0.2$  mm;  $\leq 0.03$  mm recommended).

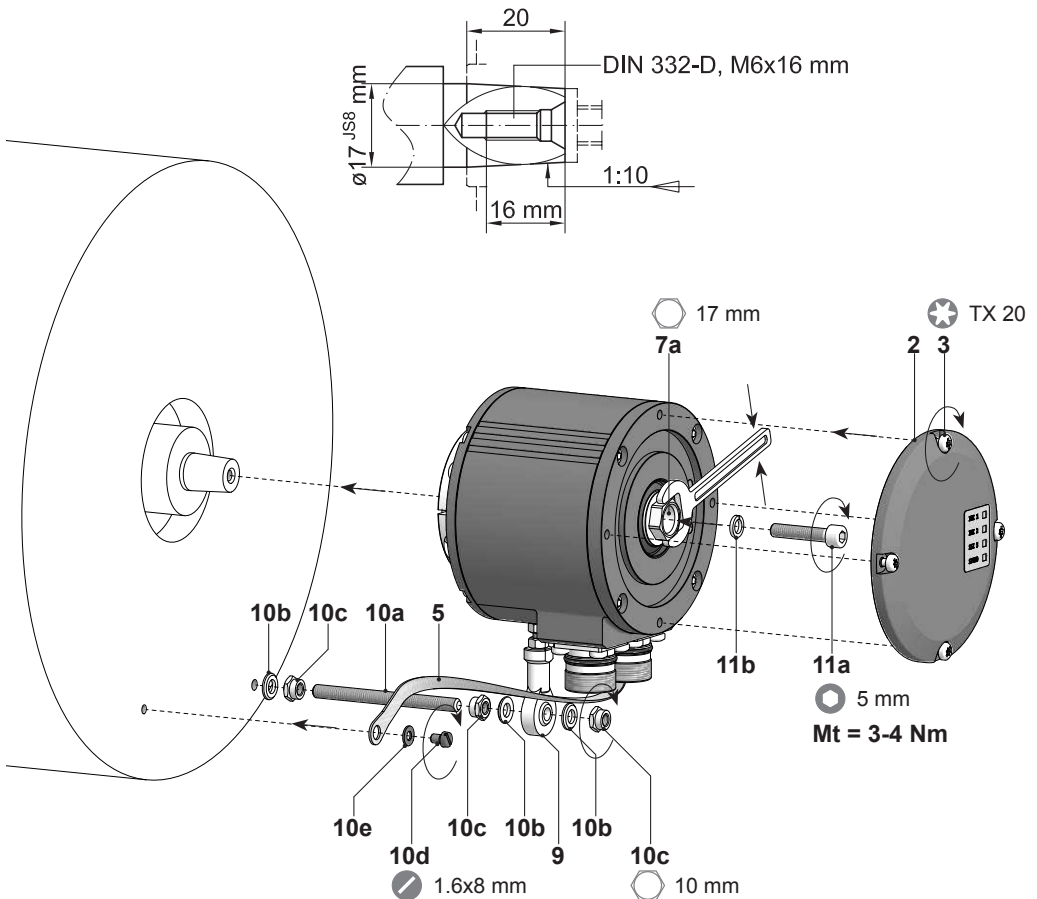
ød (mm)	L1 (mm)	L2 (mm)
16 <sub>h6</sub>	53	52 (40-52)
20 <sub>h6</sub>	35	34 (25-34)




 The encoder must be mounted with cable connection facing downward and not exposed to water.

### 4.3.2 Version with cone shaft

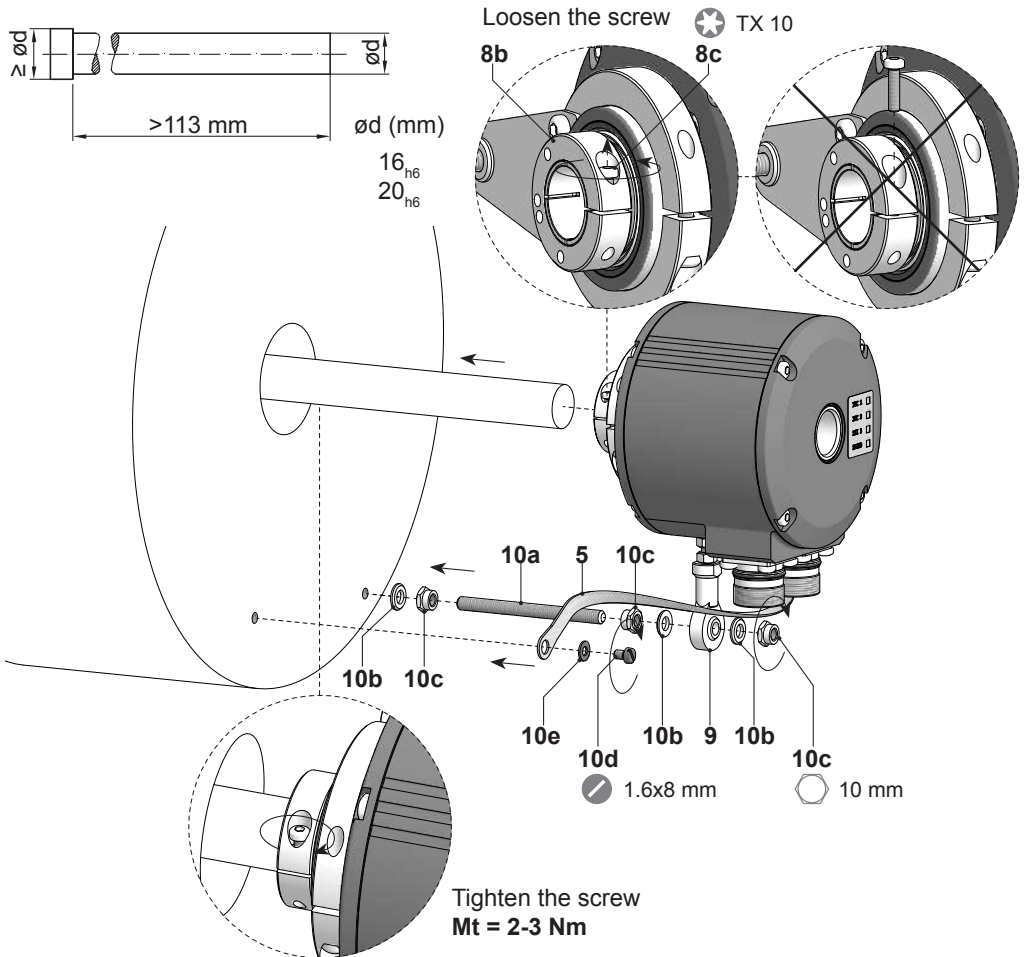
-  **Lifetime restrictions and angle error by radial deviations**  
 High runout of the drive shaft can cause encoder angle error, see *section 4.5, page 12*.  
 High runout of the drive shaft can cause vibrations, which can shorten the lifetime of the encoder.
- » Lubricate drive shaft!
  - » Minimize drive shaft runout ( $\leq 0.2$  mm;  $\leq 0.03$  mm recommended).



 The encoder must be mounted with cable connection facing downward and not exposed to water.

### 4.3.3 Version with through hollow shaft

- ☞ Lifetime restrictions and angle error by radial deviations  
High runout of the drive shaft can cause encoder angle error, see *section 4.5, page 12*.  
High runout of the drive shaft can cause vibrations, which can shorten the lifetime of the encoder.
- » Lubricate drive shaft!
- » Minimize drive shaft runout ( $\leq 0.2$  mm;  $\leq 0.03$  mm recommended).

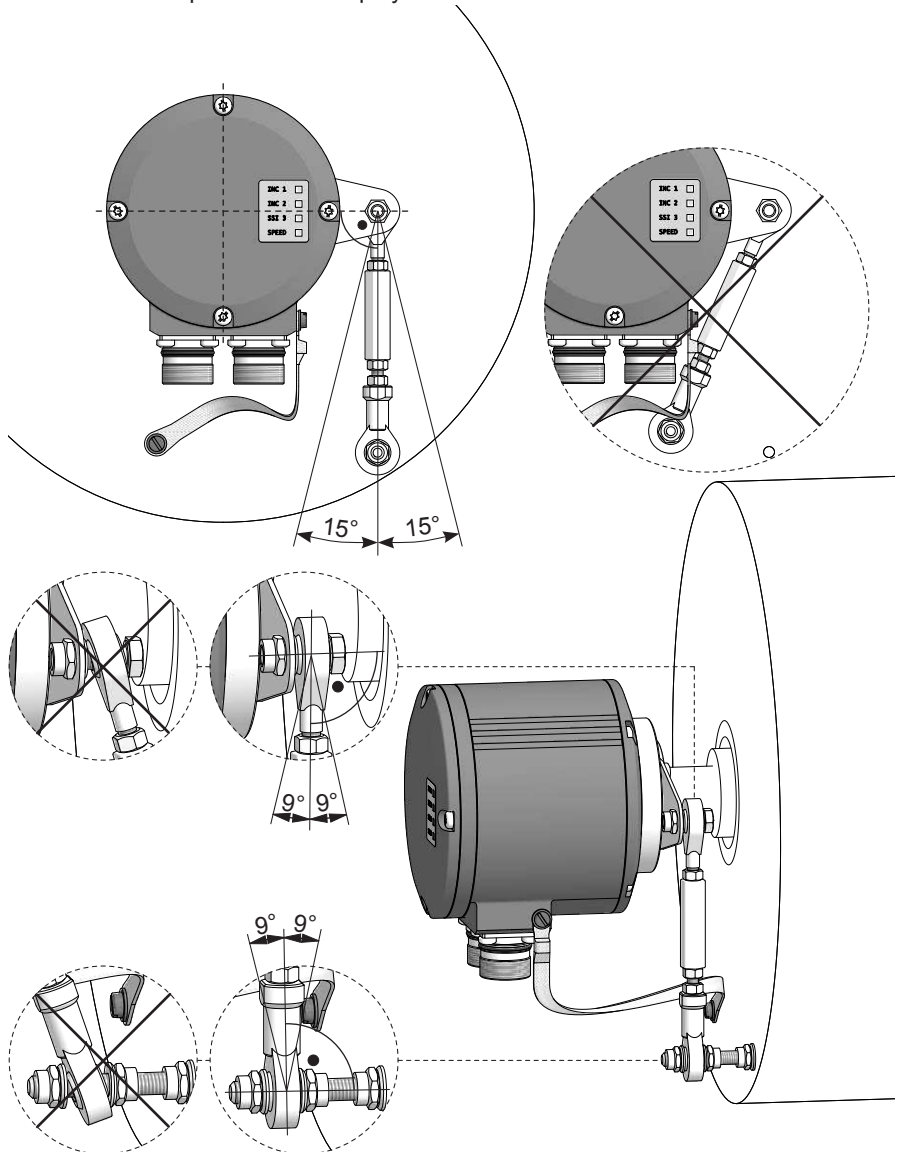


**i** The encoder must be mounted with cable connection facing downward and not exposed to water.

#### 4.4 Drive side mounting of the torque arm

- ☞ Lifetime restrictions and angle error of the encoder  
 A play of just  $\pm 0.03$  mm, results in concentricity error of the encoder of 0.06 mm.  
 That may lead to a large angle error, see *section 4.5, page 12*.

- » Mount the torque arm without play.



#### 4.5 How to prevent measurement errors

To ensure that the encoder operates correctly, it is necessary to mount it accurately as described in section 4.1 to 4.4, which includes correct mounting of the torque arm.

The radial runout of the drive shaft should not exceed 0.2 mm (0.03 mm recommended), to prevent an angle error.

An angle error may be reduced by increasing the length of L1\*. Make sure that the length L2 of the torque arm, see below, is at least equal to L1\*\*.

The angle error  $\Delta\rho_{\text{mech}}$  can be calculated as follows:

$$\Delta\rho_{\text{mech}} = \pm 90^\circ / \pi \cdot R / L1$$

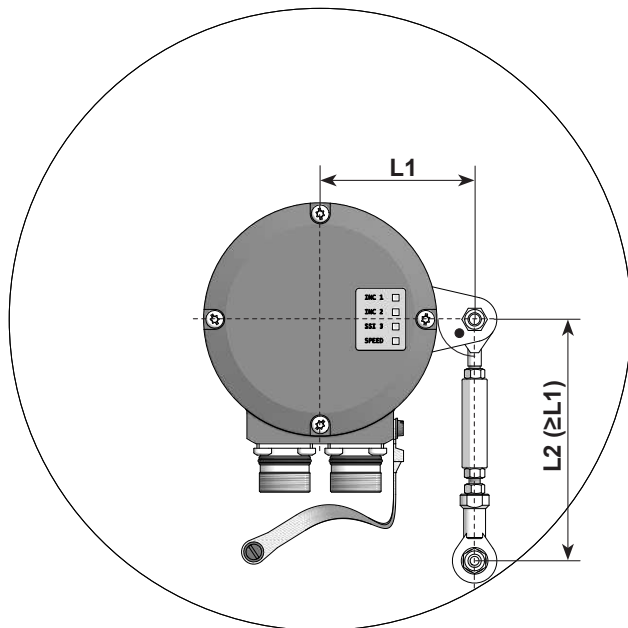
with R: Radial runout in mm

L1: Distance of the torque arm to the center point of the encoder in mm

Example:

For R = 0.06 mm and L1 = 69.5 mm the resulting angle error  $\Delta\rho_{\text{mech}}$  equals  $\pm 0.025^\circ$ .

*i* For more information, call the telephone hotline at +49 (0)30 69003-111



\* For this different braces for the torque arm are available on request.

\*\* If  $L2 < L1$ , L2 must be used in the calculation formula.



## 5. ELECTRICAL CONNECTION

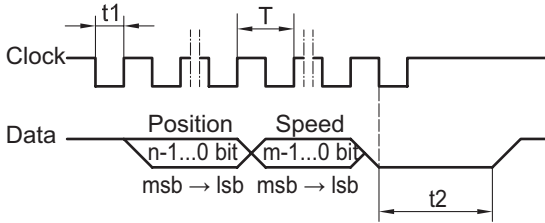
### 5.1 Terminal significance

+UB	Voltage supply
⊥	Ground
A+	Channel A+
A-	Channel A- (channel A+ inverted)
B+	Channel B+
B-	Channel B- (channel B+ inverted)
R+	Zero pulse (reference signal)
R-	Zero pulse inverted
nE+	System OK+ / error output
nE-	System OK- / error output inverted
PRE	PRESET/RESET
DIR	Rotating direction
SP+*	DSL_OUT1 / speed switch (Open-Collector** or Solid State Relay**)
SP-*	DSL_OUT2 / speed switch (0 V** or Solid State Relay**)
SA*	RS485+ / programming interface
SB*	RS485- / programming interface
D+	DATA+ (SSI)
D-	DATA- (SSI)
C+	CLOCK+ (SSI)
C-	CLOCK- (SSI)
dnu	Do not use

\* Only at version with speed switch

\*\* Depending on version

### 5.2 Data transfer SSI

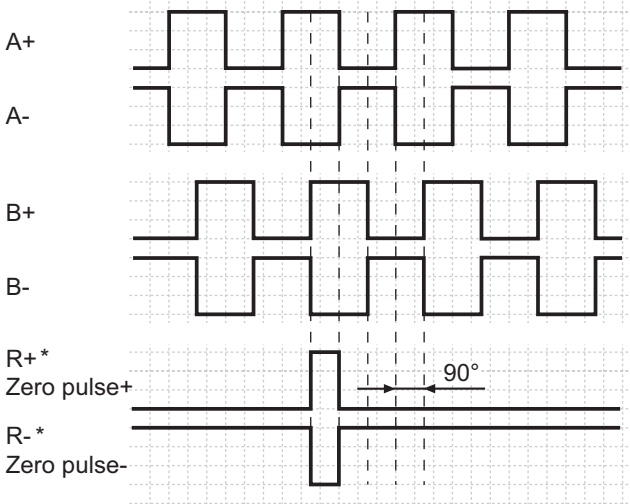


Clock frequency	100 kHz...2 MHz
Period (T)	0.5...10 $\mu$ s
Time lag (t1)	0.25...5 $\mu$ s
Monoflop time (t2)	20 $\mu$ s (internal)
n, m	Number of bits

*i* For continuous clocking, the SSI word is transmitted only once followed by zero values (no ring register operation).

### 5.3 Output signals incremental (additional outputs)

At positive rotating direction



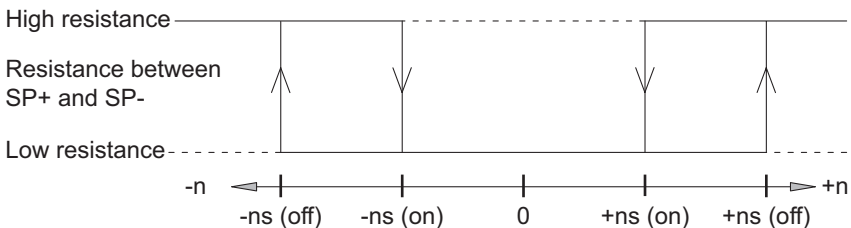
\* Only additional output 2

## 5.4 LED function displays

LED	Red	Green
INC1 (additional output incremental 1)	Undervoltage Overload Over-temperature	OK
INC2 (additional output incremental 2)	Undervoltage Overload Over-temperature	OK
Status	Internal error	OK
Speed	Speed higher switching speed (overspeed)	Speed lower switching speed

## 5.5 Speed switch - Switching characteristics

Event	State of the speed switch output
During initialisation	High resistance (overspeed)
After initialisation and speed $\leq -n_s$ (off)	High resistance (overspeed)
$-n_s$ (off) < speed $\leq -n_s$ (on)	State unchanged Low resistance (no overspeed) after initialisation if the encoder is rotating between the switching range during initialisation.
$-n_s$ (on) < speed < $+n_s$ (on)	Low resistance (no overspeed)
$+n_s$ (on) $\leq$ speed < $+n_s$ (off)	State unchanged Low resistance (no overspeed) after initialisation if the encoder is rotating between the switching range during initialisation.
$+n_s$ (off) $\leq$ speed	High resistance (overspeed)



$n$  = Speed

$+n_s$  (on) = Activation speed at shaft rotation in positive rotating direction\*

$+n_s$  (off) = Deactivation speed at shaft rotation in positive rotating direction\*

$-n_s$  (on) = Activation speed at shaft rotation in negative rotating direction\*

$-n_s$  (off) = Deactivation at shaft rotation in negative rotating direction\*

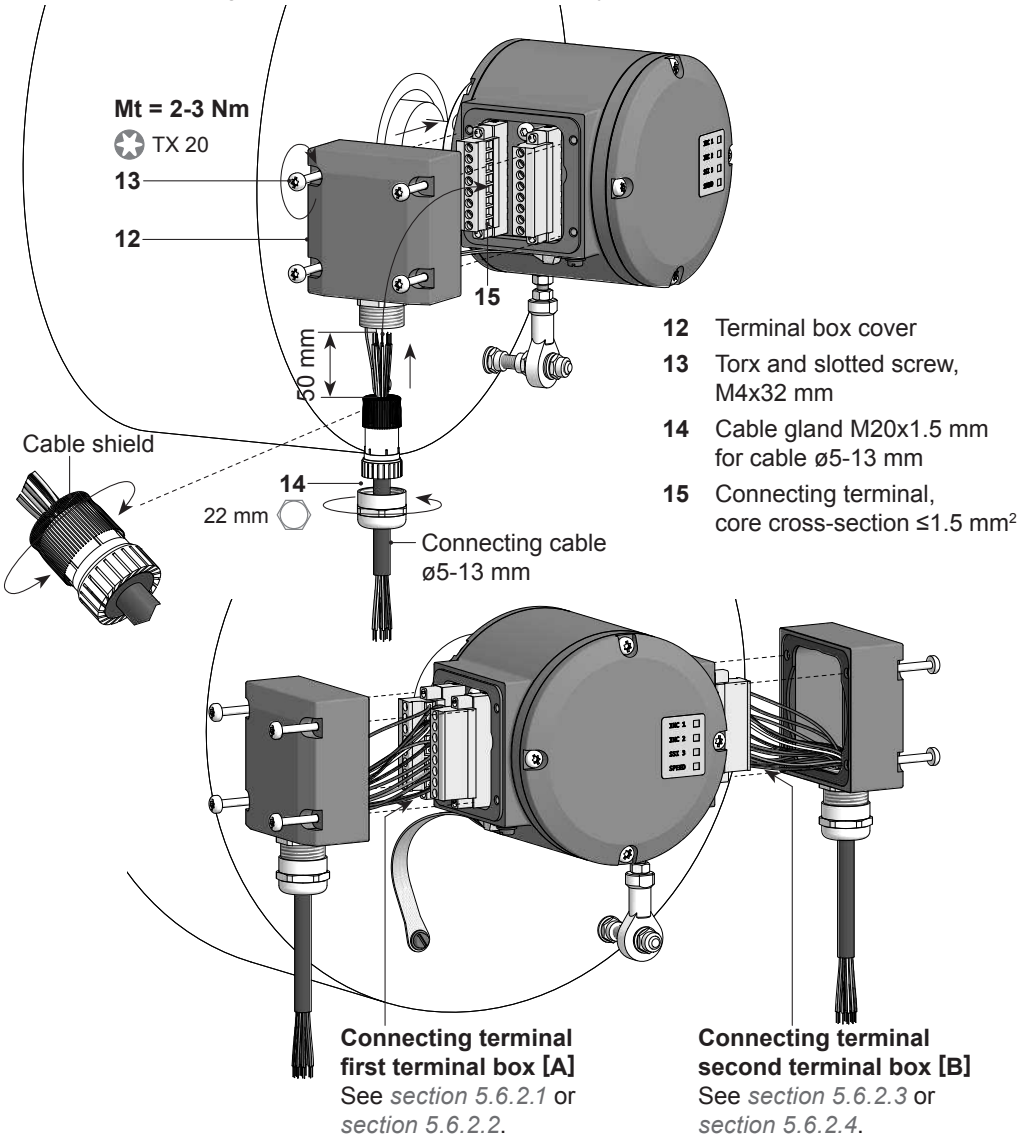
\* See section 6, page 22.

## 5.6 Version radial terminal boxes


### 5.6.1 Cable connection

☞ To ensure the specified protection of the device the correct cable diameter must be used.

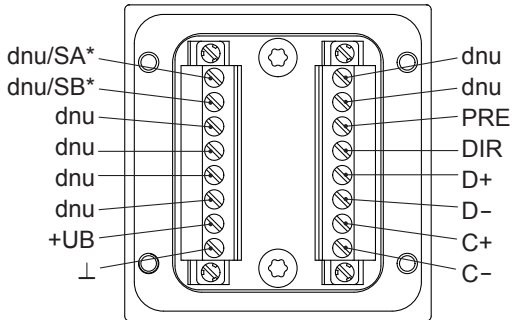
Connecting cables are not in scope of delivery.



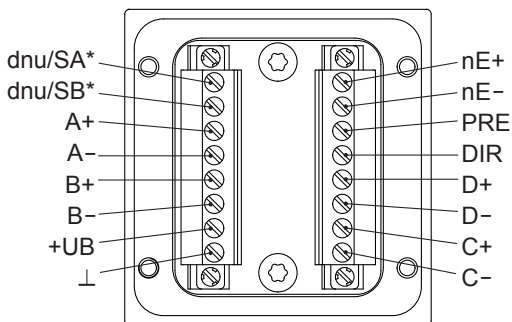
## 5.6.2 Assignment connecting terminal

-  Do not connect voltage supply to outputs! Danger of damage!  
Please, beware of possible voltage drop in long cable leads (inputs and outputs)!

### 5.6.2.1 Connecting terminal first terminal box [A] SSI without additional output 1

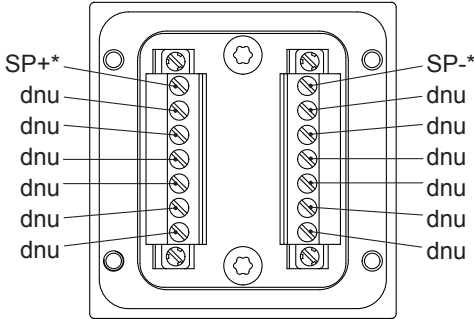


### 5.6.2.2 Connecting terminal first terminal box [A] SSI with additional output 1

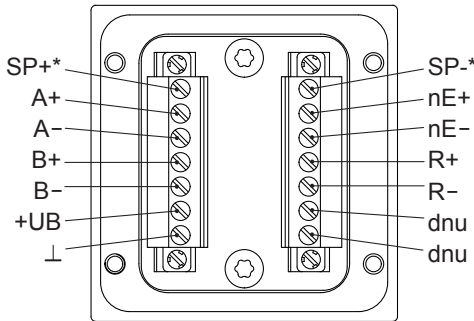


\* Only at version with speed switch

**5.6.2.3 Connecting terminal second terminal box [B]  
Speed switch without additional output 2**



**5.6.2.4 Connecting terminal second terminal box [B]  
Speed switch with additional output 2**



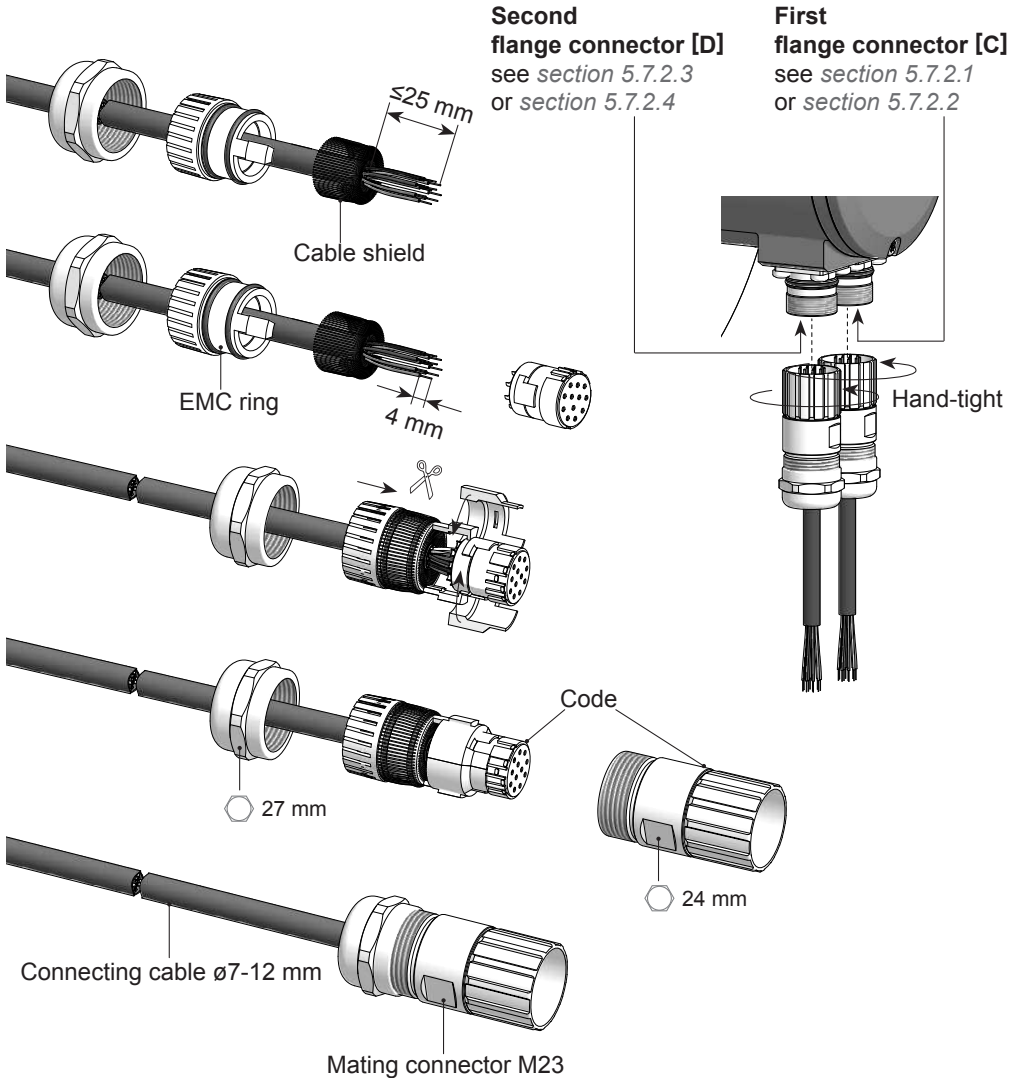
\* Only at version with speed switch

## 5.7 Version with radial flange connectors


### 5.7.1 Cable connection mating connector M23 (accessory)

☞ To ensure the specified protection of the device the correct cable diameter must be used.

Connecting cables and mating connectors are not in scope of delivery.

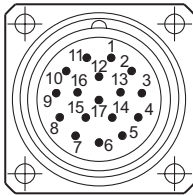


## 5.7.2 Assignment flange connectors

 Do not connect voltage supply to outputs! Danger of damage!  
Please, beware of possible voltage drop in long cable leads (inputs and outputs)!

### 5.7.2.1 First flange connector [C] SSI without additional output 1

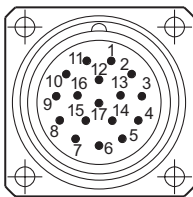
#### Flange connector M23 (male, 17-pin, clockwise)



PIN	ASSIGNMENT	PIN	ASSIGNMENT
1	dnu	10	⊥
2	DIR	11	Internal shield
3	dnu/SB*	12	dnu
4	dnu	13	dnu
5	PRE	14	D+
6	dnu/SA*	15	dnu
7	+UB	16	dnu
8	C+	17	D-
9	C-		

### 5.7.2.2 First flange connector [C] SSI with additional output 1

#### Flange connector M23 (male, 17-pin, clockwise)



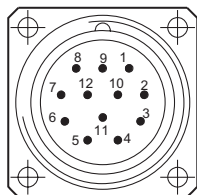
PIN	ASSIGNMENT	PIN	ASSIGNMENT
1	nE-	10	⊥
2	DIR	11	Internal shield
3	dnu/SB*	12	B+
4	nE+	13	B-
5	PRE	14	D+
6	dnu/SA*	15	A+
7	+UB	16	A-
8	C+	17	D-
9	C-		

\* Only at version with speed switch



### 5.7.2.3 Second flange connector [D] Speed switch without additional output 2

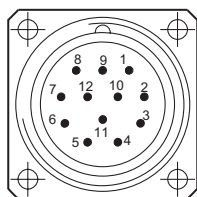
#### Flange connector M23 (male, 12-pin, clockwise)



PIN	ASSIGNMENT	PIN	ASSIGNMENT
1	dnu	7	SP+*
2	dnu	8	dnu
3	dnu	9	SP-*
4	dnu	10	dnu
5	dnu	11	dnu
6	dnu	12	dnu

### 5.7.2.4 Second flange connector [D] Speed switch with additional output 2

#### Flange connector M23 (male, 12-pin, clockwise)



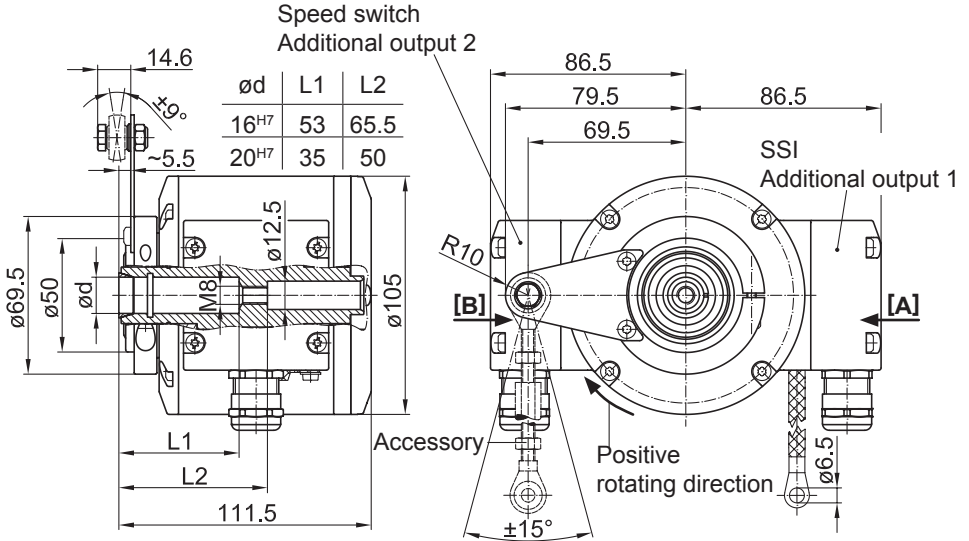
PIN	ASSIGNMENT	PIN	ASSIGNMENT
1	B-	7	SP+*
2	nE-	8	B+
3	R+	9	SP-*
4	R-	10	⊥
5	A+	11	nE+
6	A-	12	+UB

\* Only at version with speed switch

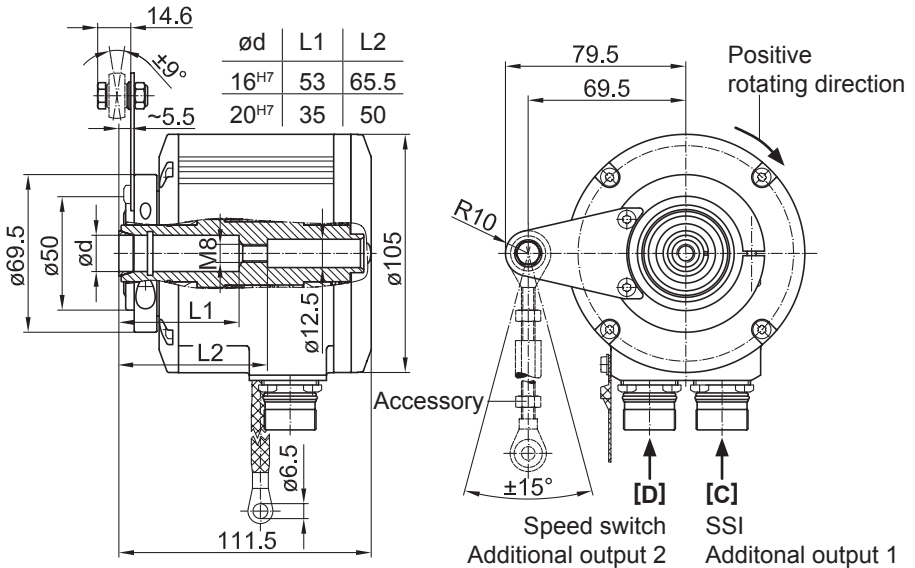
## 6. DIMENSIONS

### 6.1 Blind hollow shaft

#### 6.1.1 With radial terminal boxes



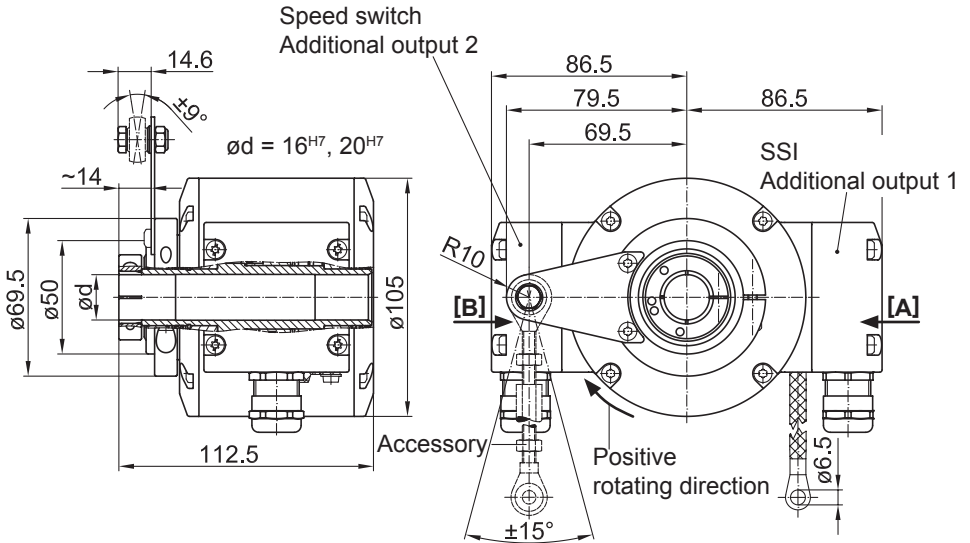
#### 6.1.2 With radial flange connectors



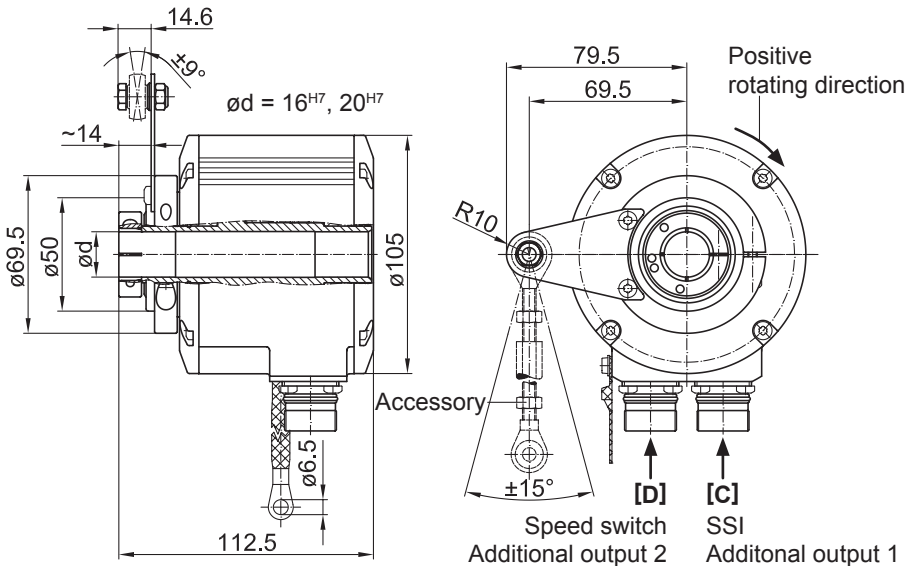
All dimensions in millimeters, unless otherwise stated.

## 6.2 Through hollow shaft

### 6.2.1 With radial terminal boxes



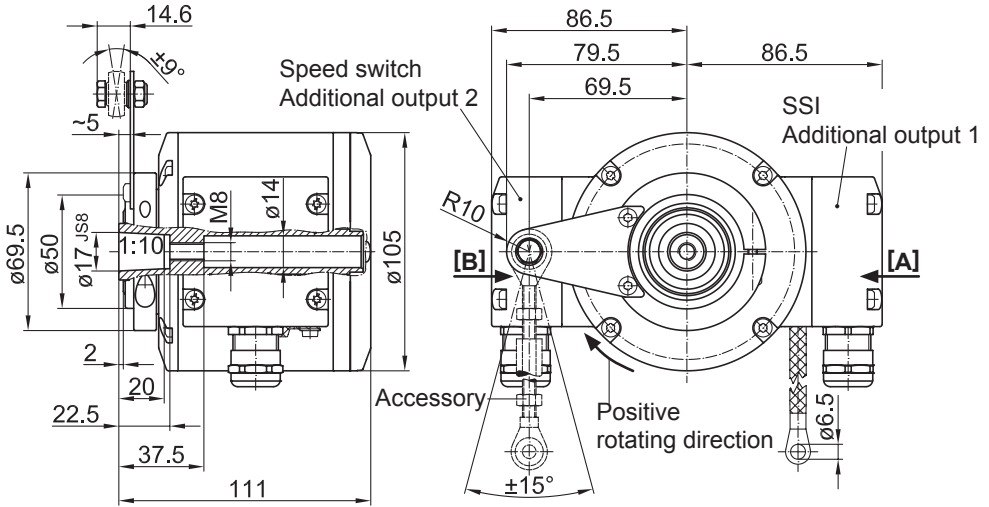
### 6.2.2 With radial flange connectors



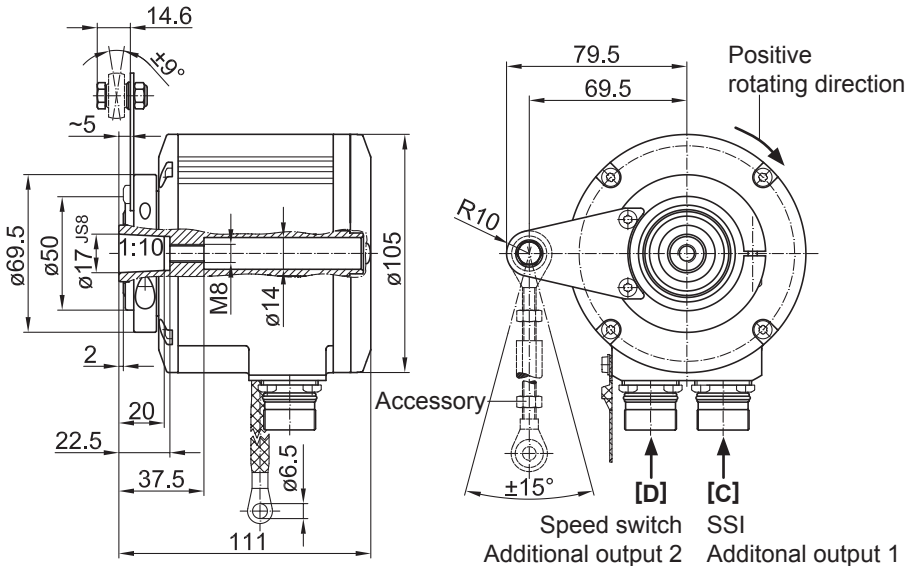
All dimensions in millimeters, unless otherwise stated.

### 6.3 Cone shaft

#### 6.3.1 With radial terminal boxes



#### 6.3.2 With radial flange connectors



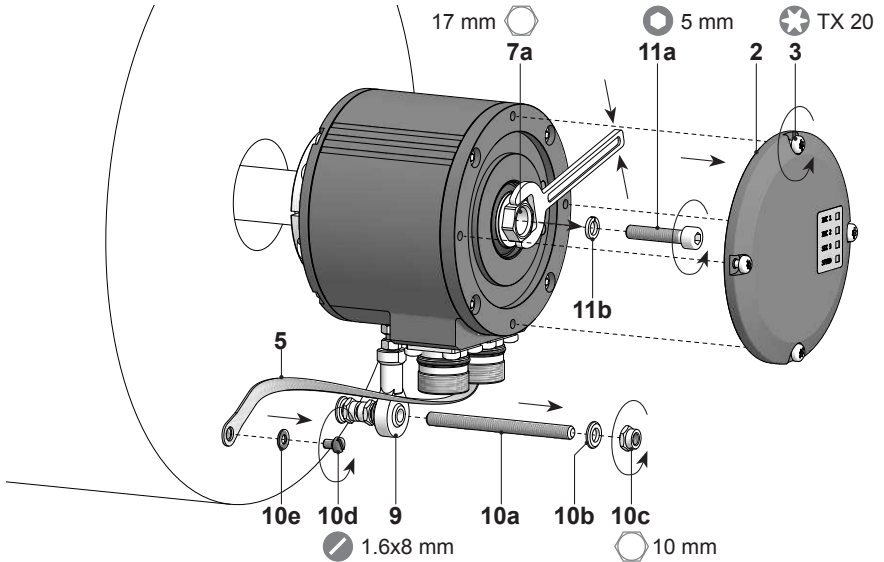
All dimensions in millimeters, unless otherwise stated.

## 7. DISMOUNTING

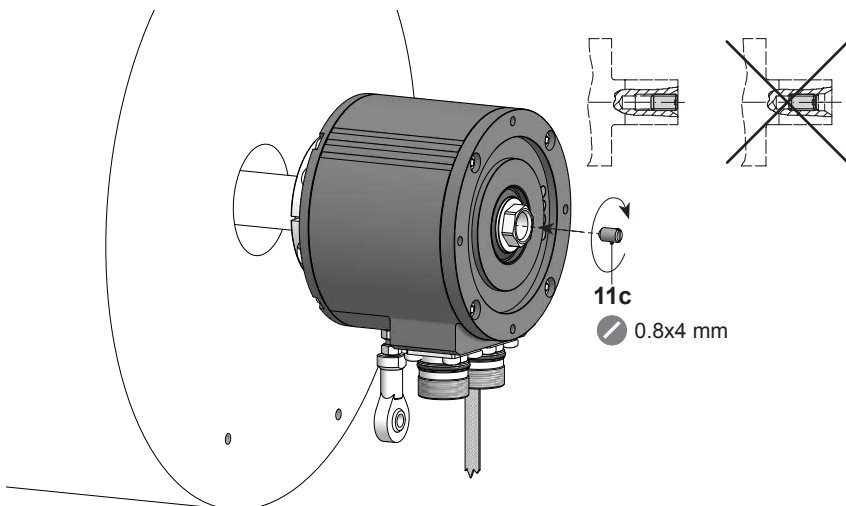
### 7.1 Version with blind hollow shaft or cone shaft

Pictures showing the version with blind hollow shaft. The dismounting steps be identical at the version with cone shaft.

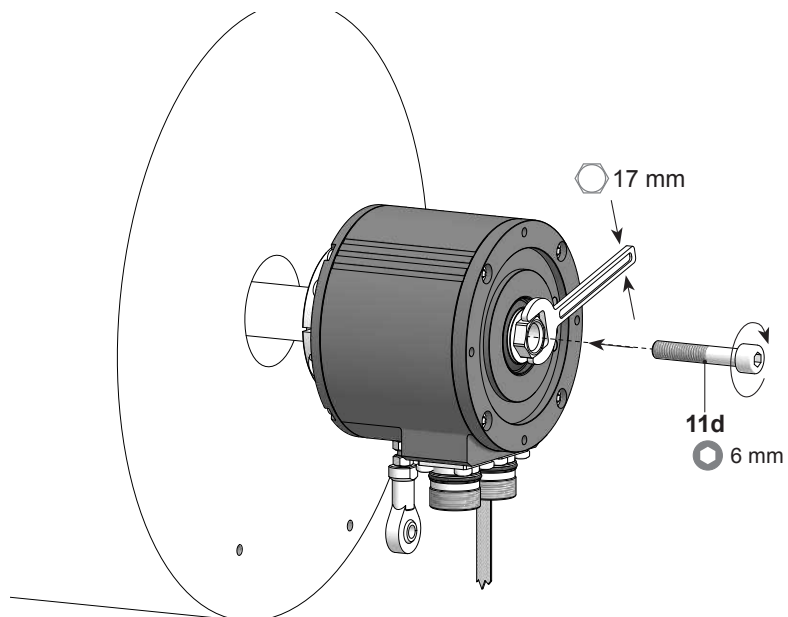
#### 7.1.1 Step 1



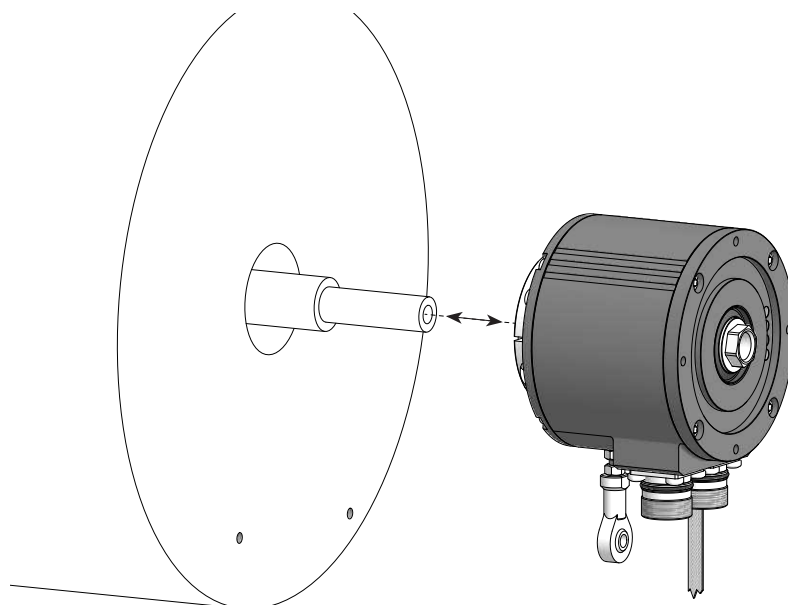
#### 7.1.2 Step 2



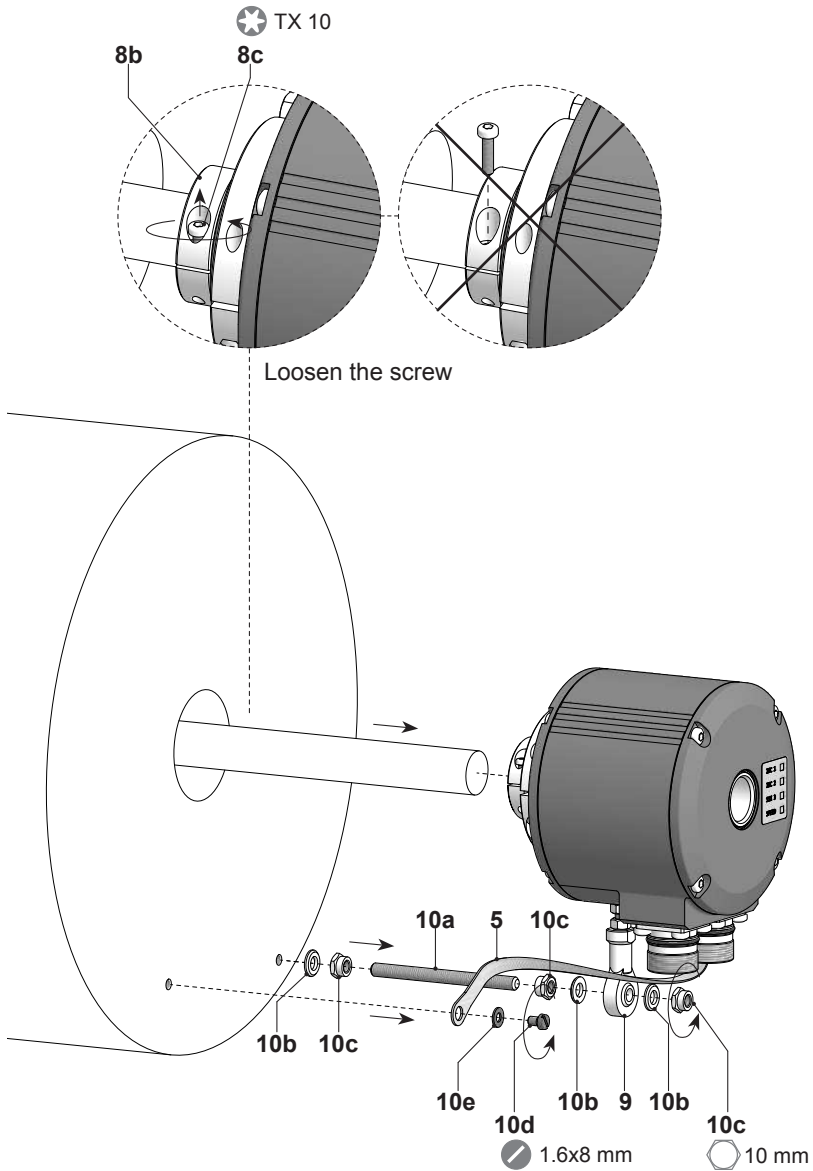
**7.1.3 Step 3**



**7.1.4 Step 4**



## 7.2 Version with through hollow shaft



## 8. TECHNICAL DATA

### 8.1 Technical data - electrical ratings

Voltage supply	4,75...30 VDC
Short-circuit proof	Yes
Consumption w/o load	≤100 mA (SSI)
Initializing time	≤500 ms after power on
Interface	SSI
Function	Multiturn
Steps per turn	1048576 / 20 Bit
Number of turns	1048576 / 20 Bit
Additional outputs	Square-wave HTL Square-wave TTL (RS422)
Sensing method	Magnetic
Code	Gray (default) or binary
Code sequence	CW/CCW programmable CW default
Input signals	SSI clock, PRESET, rotating direction
Interference immunity	EN 61000-6-2
Emitted interference	EN 61000-6-3
Diagnostic functions	Self-diagnosis
Status indicator	4 LEDs integrated in device back side
Approvals	CE, UL approval / E256710

### 8.2 Technical data - electrical ratings (speed switch)

Interface	RS485
Switching accuracy	±2 % (or Digit)
Switching outputs	1 output (Open-Collector* or Solid State Relay*)
Output switching capacity	30 VDC; ≤100 mA
Switching delay time	≤20 ms

\* Depending on version



**8.3 Technical data - mechanical design**

Size (flange)	ø105 mm
Flange	Support plate, 360° freely positionable
Protection DIN EN 60529	IP 66/IP 67
Operating speed	≤12000 rpm
Range of switching speed	±2...12000 rpm, default 12000 rpm
Operating torque typ.	10 Ncm
Rotor moment of inertia	950 gcm <sup>2</sup>
Admitted shaft load	≤450 N axial ≤650 N radial
Materials	Housing: aluminium alloy Shaft: stainless steel
Operating temperature	-40...+85 °C
Relative humidity	95 % non-condensing
Resistance	IEC 60068-2-6 Vibration 30 g, 10-2000 Hz IEC 60068-2-27 Shock 400 g, 1 ms
Corrosion protection	IEC 60068-2-52 Salt mist Complies to ISO 12944-5:1998 Protective paint systems (C5-M)
Weight approx.	1.6 kg (depending on version)
Connection	Terminal box (2x with speed switch/additional output 2) Flange connector M23 (2x with speed switch/additional output 2)
<b>HMG10-B - SSI</b>	
Shaft type	ø16...20 mm (blind hollow shaft) ø17 mm (cone shaft 1:10)
<b>HMG10-T - SSI</b>	
Shaft type	ø16...20 mm (through hollow shaft)







# Baumer

**Baumer Hübner GmbH**

P.O. Box 12 69 43 · 10609 Berlin, Germany

Phone: +49 (0)30/69003-0 · Fax: +49 (0)30/69003-104

info@baumerhuebner.com · www.baumer.com/motion

Original language of this instruction is German. Technical modifications reserved.